

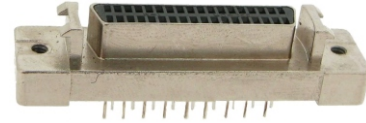
# Series 3201 SCSI Pin Type Female Straight

## Material

Insulator: PBT, UL94V-0  
 Contacts: Phosphor bronze  
 Shell / Bracket: Steel, nickel plated over copper

## Electrical

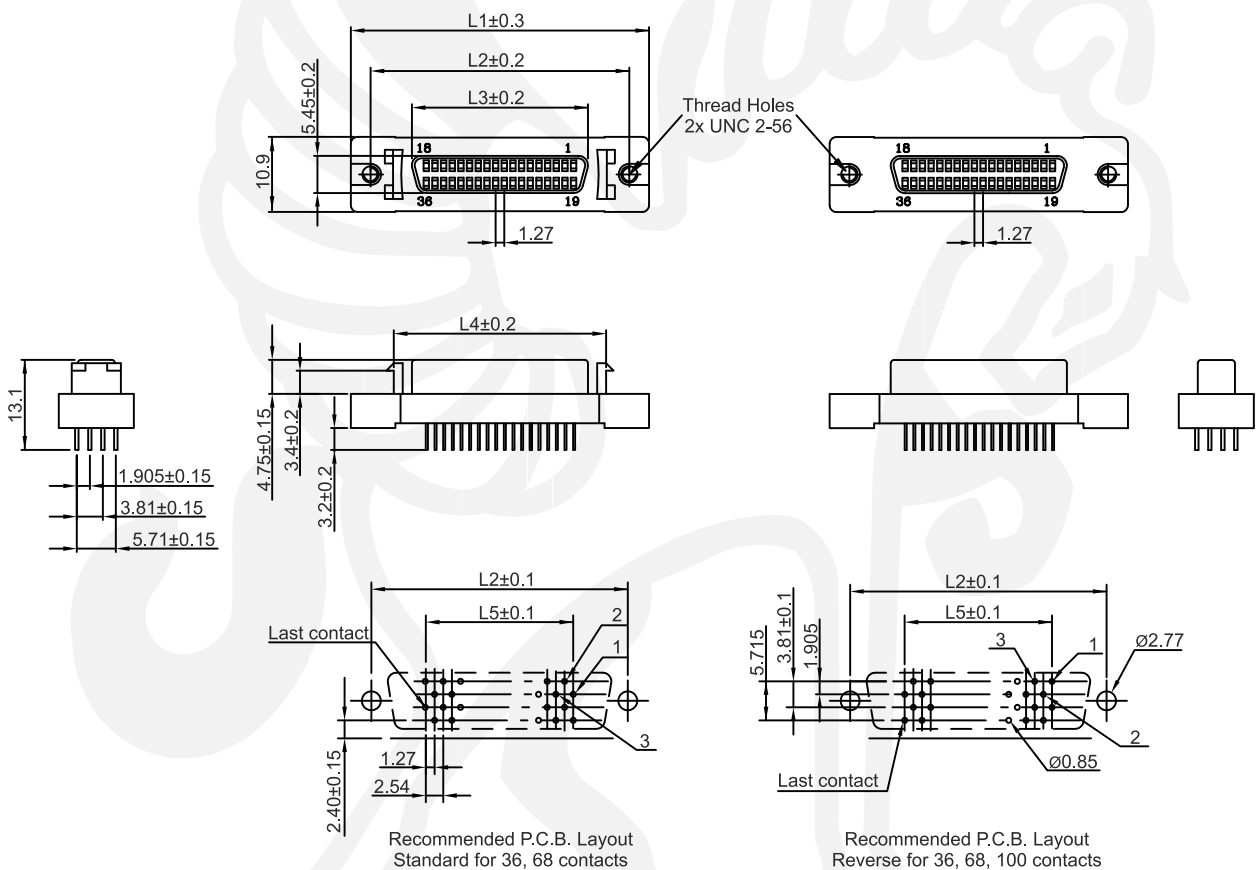
Current rating: 1 Amp  
 Contact resistance: 35 mΩ max.  
 Insulator resistance: 500 MΩ min.  
 Dielectrical withstanding: 500 VAC/minute  
 Operating temperature: -55°C ~ +105°C



36, 68, 100 contacts

with Latch

without Latch



| Contacts | L1    | L2    | L3    | L4    | L5    | Bracket Opt. |
|----------|-------|-------|-------|-------|-------|--------------|
| 36       | 43.50 | 37.60 | 25.80 | 31.00 | 21.59 | L / S        |
| 68       | 64.00 | 57.90 | 46.20 | 50.90 | 41.91 | L / S        |
| 100      | 84.18 | 78.23 | 66.45 | 71.50 | 62.23 | L            |

| Tolerances |             |
|------------|-------------|
| Linear     | .X ± 0.30   |
|            | .XX ± 0.25  |
|            | .XXX ± 0.15 |



All dim. in mm

|                      |   |  |  |  |                 |
|----------------------|---|--|--|--|-----------------|
| <b>3201 F</b>        | <b>26</b>                                 | <b>D</b>   | <b>L</b>   | <b>1</b>                                     |                 |
| Series<br>F = Female | No. of contacts<br>26, 36, 50, 68,<br>100 | Plating<br>D = 5µ" gold (standard)<br>F = 15µ" gold<br>J = 30µ" gold | Bracket option<br>L = with latch<br>S = for screw, w/o latch | P.C.B. Layout<br>1 = standard<br>2 = reverse | Packing<br>Tray |

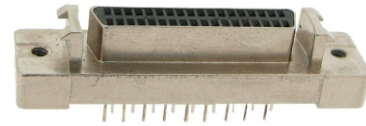
# Series 3201 SCSI Pin Type Female Straight

## Material

Insulator: PBT, UL94V-0  
 Contacts: Phosphor bronze  
 Shell / Bracket: Steel, nickel plated over copper

## Electrical

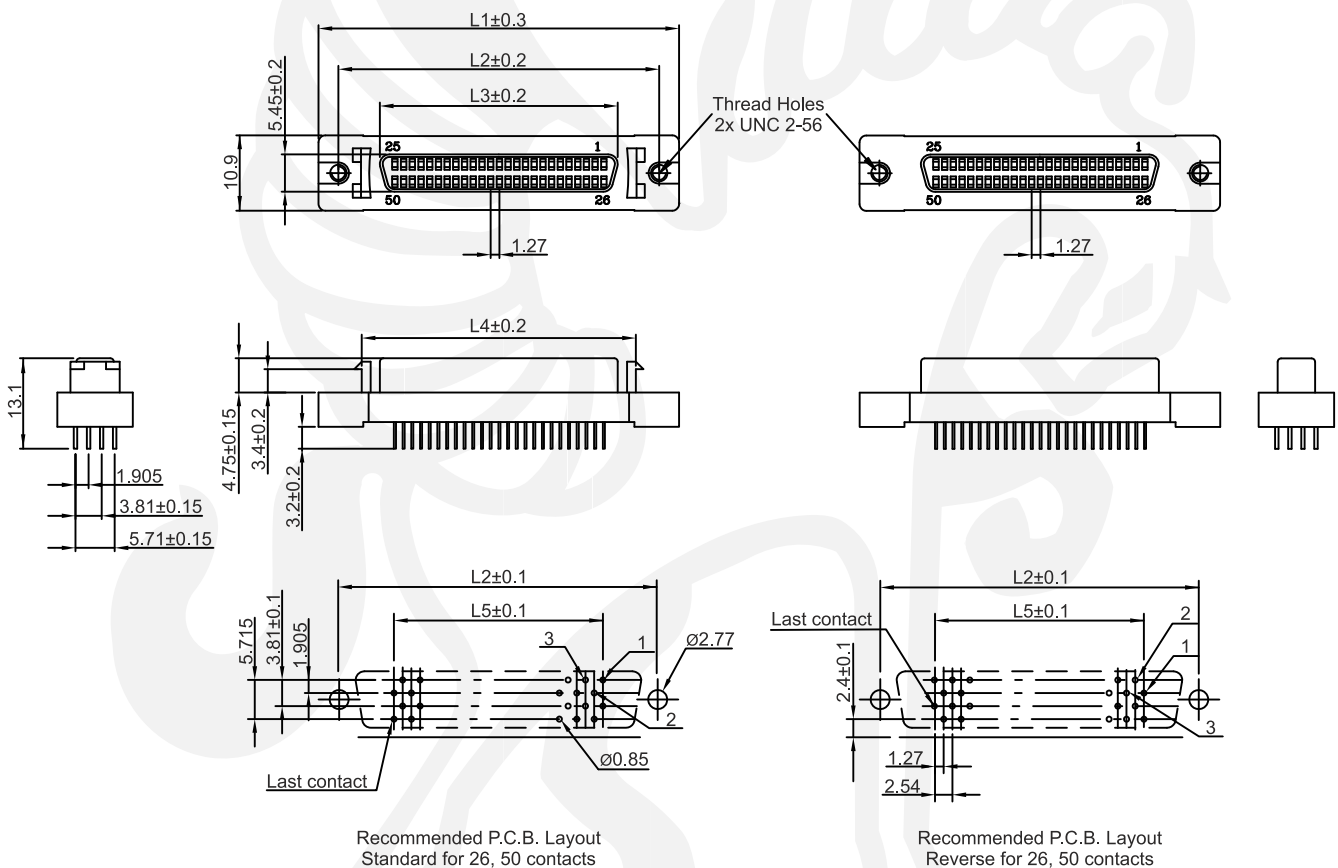
Current rating: 1 Amp  
 Contact resistance: 35 mΩ max.  
 Insulator resistance: 500 MΩ min.  
 Dielectrical withstanding: 500 VAC/minute  
 Operating temperature: -55°C ~ +105°C



26, 50 contacts

with Latch

without Latch



| Contacts | L1    | L2    | L3    | L4    | L5    | Bracket Opt. |
|----------|-------|-------|-------|-------|-------|--------------|
| 26       | 37.20 | 31.20 | 19.46 | 24.70 | 15.24 | L / S        |
| 50       | 52.60 | 46.50 | 34.70 | 40.10 | 30.48 | L / S        |

| Tolerances |             |
|------------|-------------|
| Linear     | .X ± 0.30   |
|            | .XX ± 0.25  |
|            | .XXX ± 0.15 |



All dim. in mm

|                      |   |  |  |  |                 |
|----------------------|---|--|--|--|-----------------|
| <b>3201 F</b>        | <b>26</b>                                 | <b>D</b>   | <b>L</b>   | <b>1</b>                                     |                 |
| Series<br>F = Female | No. of contacts<br>26, 36, 50, 68,<br>100 | Plating<br>D = 5µ" gold (standard)<br>F = 15µ" gold<br>J = 30µ" gold | Bracket option<br>L = with latch<br>S = for screw, w/o latch | P.C.B. Layout<br>1 = standard<br>2 = reverse | Packing<br>Tray |